

## MICROMIST® SYSTEM NOZZLE

### DESCRIPTION

The Micromist System Nozzle is designed to produce a fine and effective water mist when utilized within the specified limits. The nozzle is constructed of brass, and utilizes a plate to slice the small jets of water that flow through the nozzle orifice. The nozzle comes with a screen installed which will catch any particles that might get clogged in the orifices. The connection to the pipe network is made via a 1/2" (15mm) NPT female thread.

The Micromist system nozzle has a flow rate of 2.1 gal./min. (8 liter/min.) operating at a pressure of 310 psig (21 Bar). When used in a machinery space application, nozzles are mounted on the ceiling with a maximum ceiling height of 16' (4.9m). When the nozzles are used for gas turbine generator enclosures, they are placed on the end walls of the enclosure. Consult the Micromist Design, Installation and Maintenance Manual (P/N 06-153) for further details regarding nozzle coverage in a turbine generator application.

There are two different Micromist system nozzles depending on the application being protected. The nozzles are identical except for the distance of the plate from the nozzle orifices. The nozzle used for the protection of turbine generators has the plate installed slightly closer to the orifices than the nozzle for machinery spaces. With the plate closer to the orifice jets, a larger portion of the water stream will be sliced by the plate, creating an overall smaller water mist.

The part number is etched on the side of the Micromist system nozzle, and a color coded sticker is applied, to identify each nozzle. A red sticker indicates a turbine generator nozzle and a blue sticker indicates a machinery space nozzle.

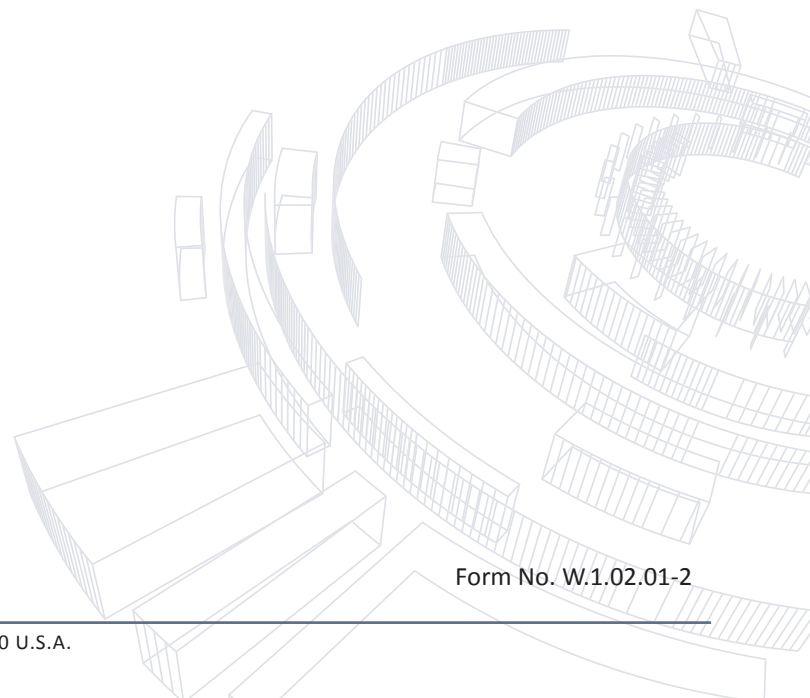
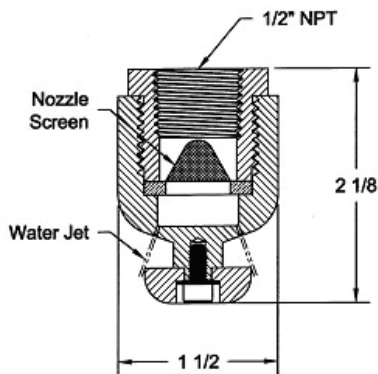
### SPECIFICATIONS

Part Number: 73-0023 Nozzle Assembly for Turbine Generators  
 73-0024 Nozzle Assembly for Machinery Spaces  
 Material: Brass  
 Thread Size: 1/2" NPT, Female



### APPROVALS:

- FM - J.I. 3000746



Form No. W.1.02.01-2

*(This page is left blank intentionally)*